

Video and Audio Transmission over Digital Data Networks

Line INDUSTRIAL Video



In a LAN via Ethernet, or worldwide
in a WAN via Internet or ISDN

line INDUSTRIAL Video

- Video and audio transmission
- Live video display with a hardware decoder on the video monitor, on a PC with standard browser, or with the software decoder included in the delivery contents
- Integrated HTTP server
- Integrated video ring memory for pre-alarm detection
- Integrated video motion detection
- Multicast capable
- Compatible to the video server series VIP-(A)V T(R)xC
- Configurable relay contact
- Configurable error signal contact
- Button input
- Ethernet port 10/100 MBit/s
- Data interface for camera control, RS232/RS422/RS485
- DIN rail mounted
- Voltage supply 24V, redundant

Hirschmann Electronics' new video system, the R-VIP T, sets new standards in the field of industrial communications. Based on its functionality, temperature range, design, power supply and the typical industrial suitability of Hirschmann products, this innovative product paves the way for new fields of applications. Now you can use existing data networks to transmit video, audio, and control signals. Keep a watchful eye on traffic routes such as tunnels and airports. Monitor production processes to ensure consistent quality and quantity. Reduce your costs for service operations by using remote maintenance made possible by this global audio-visual communication technology used worldwide. Compliant with the international video compression standard H.323, the video system R-VIP T produces high-quality video images even at low data rates.

MONITORING TRAFFIC



Monitor road tunnels, train stations, traffic intersections, canal locks, and airports. Use existing networks for video and voice connections, for digital inputs and outputs and for data channels used in controlling cameras.

REMOTE MAINTENANCE



The capability of contacting operating personnel at the worksite using audio-video technology helps to optimize all support operations or may even make them unnecessary. Production facilities can contact service departments directly using automatic e-mail or live video images.

PROCESS MONITORING



Monitor and document the production process and reduce failure and downtimes. Transfer live video from production sites in adverse climate conditions to control centers to deal immediately with any changes.

TECHNICAL DATA

Type	Order No.
R-VIP T	943 750-001
Transmission	PAL and NTSC LiveVideo
Video resolution	- MJPEG 704 x 576 - 2CIF 704 x 288 - CIF 352 x 288 - QCIF 176 x 144
Video frequency	Up to 30 fps
Standards	H.261, H.263, H.323, M-JPEG, G.711
Protocols	TCP, UDP, IP, ARP, ICMP, FTP, DHCP, PPP, HTTP, IGMP
LAN interface	RJ-45, FastEthernet 10/100Base-T, autosensing
LAN data rate	10kBit/s to 1 MBit/s
Video interface	BNC, 75 Ohm, 1V _{SS}
Audio interface	RCA
Audio input	adjustable from 32 dBm to +5.7 dBm
Audio output	-10 dBm to 0 dBm, 600 Ohm
Data interface	RS232 / RS422 / RS485, bidirectional, SUB D 9-pin
Error signal contact	Configurable
Control input	Via pluggable terminal block for button/switch
Control output (relay contact)	Via pluggable terminal block, max. 40V, 0.8A
Operating temperature	0 to 55°C
Relative humidity	10 to 90% non-condensing
Supply voltage	24V / 0.35A DC (18 to 32V) Connection option for redundant power supply

OTHER PRODUCTS IN THIS PRODUCT GROUP

Type	Order No.
VIP-V RXC	943 712-005
Features	Video hardware receiver desktop unit
VIP-AV RXC	943 707-005
Features	Video-audio hardware receiver desktop unit
VIP-V SW4	943 713-005
Features	Video-audio hardware 4-way receiver software
VIP-V TXC	943 711-005
Features	Video transmitter desktop unit
VIP-AV TXC	943 706-005
Features	Video-audio transmitter desktop unit

For further information on these products and other product families, see the FiberINTERFACES catalog or visit www.hirschmann.com

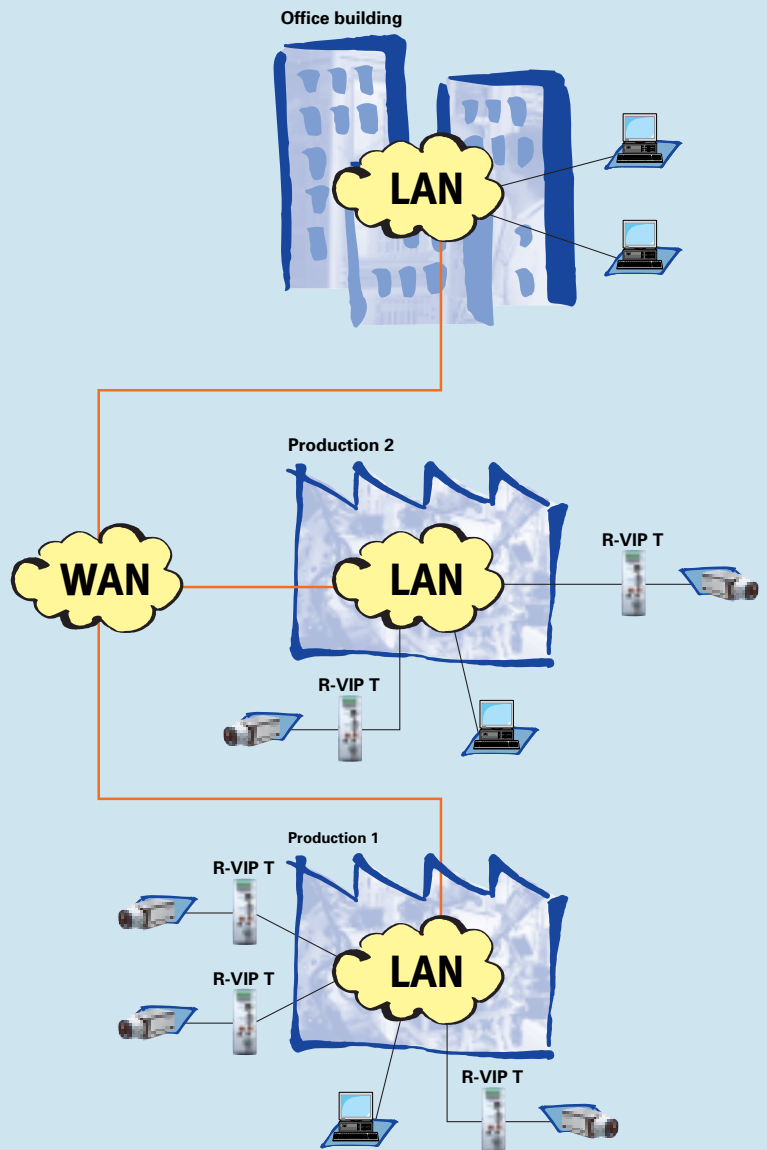
OTHER PRODUCT FAMILIES: FIBER OPTIC SYSTEMS

The fiber optic systems for video and RGB offer analog bandwidths from 7 MHz to 150 MHz and ranges of up to 26 km. Further information: see the FiberInterfaces catalog or www.hirschmann.com

line INDUSTRIAL VIDEO



R-VIP T



FIBER OPTIC SYSTEMS FOR VIDEO AND RGB



F/O video receiver



F/O video transmitter



F/O RGB transmitter plug-in card



HIRSCHMANN

Hirschmann. Solutions for communication.

Germany

Hirschmann Electronics GmbH & Co. KG
Automation and Network Solutions
Stuttgarter Straße 45-51
D-72654 Neckartenzlingen
Postfach 1649
D-72606 Nürtingen
Tel +49-7127-14-1479/-1480
Fax +49-7127-14-1495/-1496/-1502
e-mail: ans-hi-line@nt.hirschmann.de
<http://www.hirschmann.com>

Austria

Hirschmann Austria GmbH
Oberer Paspelsweg 6-8
A-6830 Rankweil-Brederis
Tel +43-55 22 307-0
Fax +43-55 22 307-555
e-mail: info@rw.hirschmann.at

Switzerland

Hirschmann Electronics GmbH & Co. KG,
Neckartenzlingen
Zweigniederlassung Uster
Seestraße 16
CH-8610 Uster
Tel +41-1-905 82 82
Fax +41-1-905 82 89
e-mail: ans_ch@hirschmann.ch

France

Hirschmann Electronics S.A.
24, rue du Fer à Cheval, Z.I.
F-95200 Sarcelles
Tel +33-1-39 33 02 80
Fax +33-1-39 90 59 68
e-mail: ans@hirschmann.fr

Great Britain

Hirschmann Electronics Ltd.
St. Martins Way
St. Martins Business Centre
GB-Bedford MK42 0LF
Tel +44-1234-34 59 99
Fax +44-1234-35 22 22
e-mail: enquiry@hirschmann.co.uk

Netherlands

Hirschmann Electronics B.V.
Pampuslaan 170
1382 JS WEESP
Postbus 92
NL-1380 AB Weesp
Tel +31-2944-6 25 55
Fax +31-2944-8 06 39
e-mail: ans@hirschmann.nl

Spain

Hirschmann Electronics S.A.
Calle Trespaderne, 29
Edificio Barajas I, 2ª Planta
E-28042 Madrid
Tel +34-91-74 617 30
Fax +34-91-74 617 35
e-mail: hes@hirschmann.es

Hungary

Hirschmann Electronics Kft.
Rokolya u. 1-13
H-1131 Budapest
Tel +36-1-349 41 99
Fax +36-1-329 84 53
e-mail: hirh.vez@nap-szam.hu

USA

Hirschmann Electronics Inc.
30 Hook Mountain Road – Unit 201
Pine Brook, New Jersey 07058, USA
Tel +1-973-830 2000
Fax +1-973-830 1470
e-mail: ans@hirschmann-usa.com

Singapore

Hirschmann Electronics Pte. Ltd.
3 Toh Tuck Link
#04-01 German Districentre
Singapore 596228
Tel +65-4 63 58 55
Fax +65-4 63 57 55
e-mail: hirschmann.ap@pacific.net.sg