

OV-508

50" XGA DLP™ projection module



Barco's OV-D2 series integrates cutting edge DLP™ technology into 50" video wall systems that are designed and optimized for use in a 24/7 mission critical environment. The Barco designed projection engine provides a set of unique features, resulting in an unrivaled DLP™ rear-projection system with outstanding picture quality, reliability and ease of use.

Superior display quality

- Latest high-contrast DLP™ technology
- Brightness, contrast, and large viewing angles tailored to the human eye providing maximum readability
- Vibrant colors
- Sense⁶ technology providing consistently excellent video wall uniformity over time

Reliability and lifetime serviceability

- Engineered for ease of maintenance and serviceability
- Durable components with high reliability from lamp to screen
- Dual redundant lamp offering 100% reliability
- Easy lamp replacement from the rear of the system while system runs
- 100% sealed off optical engine, preventing dust contamination
- Fast Ethernet communication allowing redundant projection access for direct control and configuration
- Barco's Lamp-Lease Program allowing to efficiently control operational costs

Flexibility

- Designed to form video walls of any size, in a linear or curved setup
- Requires minimal installation depth
- Innovative modular concept for easier build up and design

Integrated system

- Barco Wall Control Manager software with central graphical overview of the video wall
- Integrating individual projection modules into a single display

BARCO

Visibly yours

Features of the OV-508 projection modules

Sense⁶

Sense⁶ brings wall uniformity to a next level.

Not only does Sense⁶ increase color and brightness uniformity in the corners of each single projection module, Barco's innovative Sense⁶ technology also keeps all projection modules equal over time and across the entire video wall.

By integrating a patented brightness and color sensor, the video wall's color and brightness is continuously measured and communicated between projection modules. Sense⁶ automatically matches the brightness of full white, full black and gray levels in between, as well as the colors of all projection modules. The I-lamp recalibrates the color sensor for long-time stability.

Sense⁶ operates unnoticed in the background and requires no operator intervention whatsoever. For instance, Sense⁶ will work during automatic lamp change without special operator actions. The intended video wall content remains unchanged at all times. No special screen calibration patterns are needed.

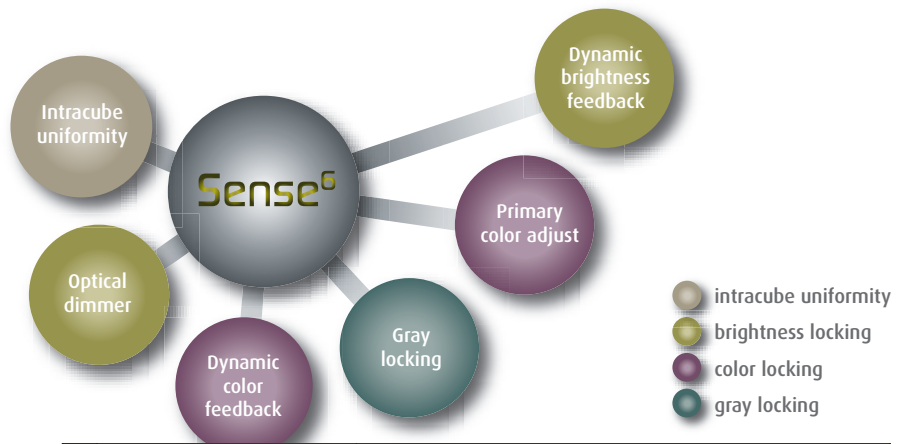


50" OV-508		HVA	HVM	HVX
	Power	Luminance (cd/m ² ftL) (¹)		
	120 W	290 85	575 169	1425 419
	132 W	320 94	635 187	1570 462
	180 W	435 128	n.a.	n.a.
	Seam size screen mullion	0 mm		
	interscreen gap	< 0.8 mm(²) or 0 mm ZeroGap technology		
	Humidity conditions	Up to 80% non condensing		
	Temperature conditions	10°C-40°C 50°F-105°F		
	Storing conditions	0°C-40°C 32°F-105°F		

(¹) @ 6500 K, values are approx 50% @ 3200 K

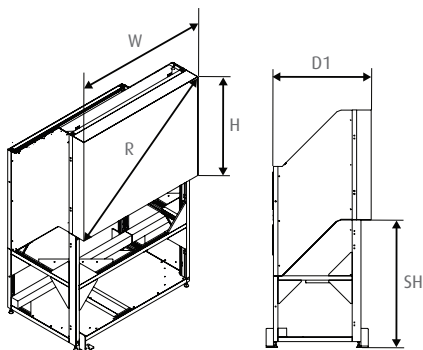
(²) @ 25°C, 50% RH

Screens	Screen type	Brightness	Viewing angle	Full viewing angle	Half gain angle (h.v.)	1/5 gain angle (h.v.)
	HVA	Normal	Excellent	180°	±35° ±35°	~ ±65° ±65°
	HVM	Medium	Wide	180°	±35° ±27°	~ ±45° ±41°
	HVX	High	Medium	160°	±35° ±10°	~ ±45° ±17°



ΔE^* is a parameter which incorporates color and brightness differences into one unit. Additionally, ΔE^* takes into account the adaptation level of the human eye to brightness and color.

Sense ⁶ (Optional)	
Color shift between projection modules over time	Shift in ΔE^* over time < 3 (with color lock)
On-screen brightness uniformity	Very high brightness and color uniformity
ANSI 9 brightness min.	97%
ANSI 13 brightness typ.	95%
Projector color/brightness uniformity	
ΔE^* intercube typ.	< 6
ΔE^* intracube typ.	< 3
Brightness locking	Makes brightness of all projection modules equal at all times without operator intervention
	High Dynamic Range (HDR) by optical dimming preserves contrast, independent of brightness level or lamp life Active dynamic brightness sensor feedback technology measures brightness and serves as input to the optical dimmer
Color locking	Makes color of all projection modules equal at all times without operator intervention
	Primary Color Adjust is a color algorithm that adjusts color to a common color target in red, green, blue and white
	Active Dynamic color sensor feedback technology collects color information from all projection modules. The True Color Sensor measures the complete spectrum rather than just red, green and blue and is based upon the standard spectral function according to CIE 1931
Gray locking	Makes gray levels equal across projection modules



Dimensions	
OV-508	
Width W	1000 mm 39.4"
Height H	750 mm 29.5"
Diagonal R	50" nominal
Full depth D1	664.5 mm 26.2"
Aspect ratio	4:3
Standard height SH	875, 1000, 1200 mm 34.5", 39.4", 47.2"
Min screen height SH	455 mm 17.9"
Weight/module	65 kg 143.3 lbs

Technical specifications OV-508

Display capabilities	Resolution	XGA 1024 x 768 TruePixel			
	Absolute resolution	26 dpi			
	Luminous flux @ 6500 K @ 132W	875			
	Dynamic contrast	4800:1			
	Color	100% EBU			
	White point	6500 K, natural lighting (1)			
Imaging device	DMD chip	0.7" LVDS ±12° DarkChip3, BrilliantColor™			
	Pixel accuracy	PixelTrue display, shows each pixel true to the input pixels without scaling or smoothing effects			
	MTBF of DMD	Typ. 650,000 hours			
	Life-time of DMD	Typ. > 100,000 hours			
	Image retention	No image retention or burn-in			
	Lamps	Lamps	Choice between 120 W, 132 W and 180 W		
Lamp life (2)		120 W	132 W	180 W	
		10,000 hrs	6,000 hrs	6,000 hrs	
Lamp redundancy		Cold standby or hot standby with redundant power supply Automatic lamp switch by autosensing lamp failure			
Lamp replacement		Defect lamp can be hot-swapped without image loss			
Lamp switch		Dynamic feedback of brightness and color readjusts video wall to equal performance			
Switching time		< 1.5 seconds			
I-lamp		Intelligent lamp carries a.o. lamp life information & spectrum			
Color wheel		Color wheel, rotation speed & lifetime	Color wheel cartridge with MTTR < 5 minutes		
			3x speed for better image representation		
		Air bearing with rating of 50,000 hours			

Power	AC input voltage	100-240 VAC, 60-50 Hz			
	Power (W)	120 W	132 W	180 W	
	Cold standby	< 250	< 275	< 335	
	Hot standby	< 390	< 430	< 550	
	Heat dissipation (BTU/h)	120 W	132 W	180 W	
Signal	Cold standby	< 850	< 900	< 1145	
	Hot standby	< 1325	< 1375	< 1875	
	Signal input/output	1 x DVI-D in/out, 1 x Dual-link DVI-D in/out			
	Pixel clock	162 MHz 270 MHz (3)			
	Input frequency	Multi sync 30-75 Hz			
	Genlock range	Genlock in 49-61 Hz range			
	Supported input resolutions	VGA, SVGA, XGA, SXGA, SXGA+, UXGA, 1080p, dual XGA, triple XGA (3), quad XGA (3), dual SXGA+(3)			
	Cropping	Possible			
	Scaling (optional)	Up- and down scaling			
	Communications	Barco Wall Control Manager	Graphical representation of video wall on operator PC		
			Integrates separate projection modules into a single display, allowing a.o. Sense6		
			Client – server architecture provides central video wall logic with multiple access from multiple sites		
			Health status in the blink of an eye and support for trouble shooting		
			Configuration of different settings		
			Wall control by the operator		
		Multiple access levels			
Direct ethernet access		Projection modules settings and control through standard ethernet browser			
		Easy and fast firmware upgrade over ethernet			
Autodiagnosics		Projector self test			
Integration to third party equipment		External video wall control from different devices through SOAP based API			

(1) Special 3200 K option for backdrop • (2) Lamp manufacturer specs @ IEC 61947-1 test conditions
(3) On second input

Ref. no. R599165SSE1008R004

Barco is an ISO 9001 registered company. The information and data given are typical for the equipment described. However any individual item is subject to change without any notice. The latest version of this product sheet can be found on www.barco.com
DLP™ technology by Texas Instruments offers crystal clear images with superior quality. DLP, Brilliant Color are trademarks of Texas Instruments.



Contact Barco
Europe, Middle-East, Africa: +32 56 26 20 09
USA: +1 678 475 8000
Latin America: +55 11 38421656
Japan: +81 3 5762 8727
China: +86 400 88 22726
sales.security_and_monitoring@barco.com

